

## TECHNICAL DATASHEET FERBORAIN

**GD**



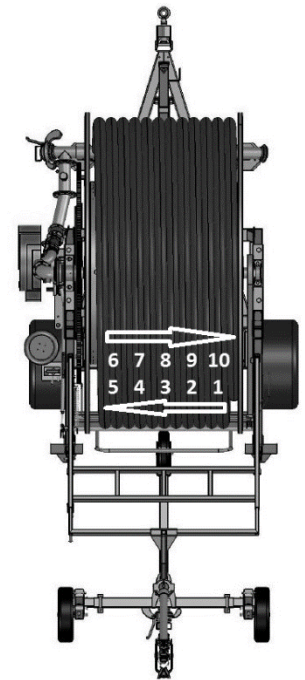
*Illustrative purposes only; the model shown here could be different that one supplied*

### STANDARD EQUIPMENT

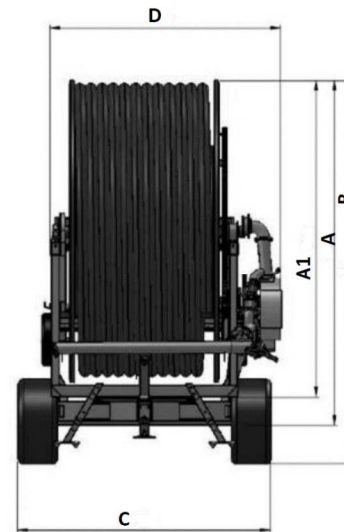
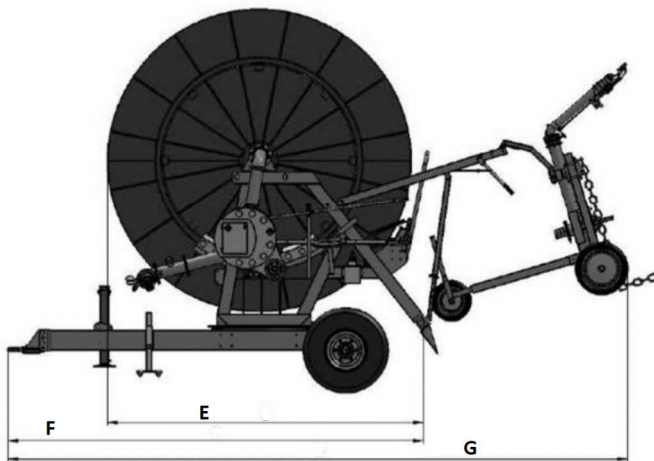
- High efficiency partial flow turbine drive directly coupled to the gearbox (minimum pressure losses in its category)
- 4 speed gearbox with oil lubrication
- Safety devices for PTO and rewinding out of the drum
- Moving transmission through toothed crown, which is placed close to the maximum stress point on the drum and not pushing against the hose reel borders
- Leadscrew driven hose layering guide
- By-pass “double action” for automatic speed control
- Glycerine filled pressure gauge
- Digital hour meters
- Huge diameter 360° turntable
- Exclusive “safety lock” rotation system from trolley lift which blocks the automatic rotation in case of emergency and allows a single operator to turn the machine safely and with minimum effort
- Trolley lift and stacker legs driven by hydraulic pistons incorporated inside the structure
- Additional stacker legs on the tow-bar
- Hot galvanised steel lower frame, upper frame, pipework with double water inlet and components
- 3 wheels hot galvanised sprinkler trolley with adjustable track, height and legs
- Accident prevention protections according to CE standard
- Sprinkler with set of nozzles
- High resistant medium density PE hose with differentiated thickness
- Instructions and maintenance handbook
- CE Certificate
- Warranty certificate

## Available Models

Structure	Model	Type	Ending hose	P.E. Hose Ø (mm)	Hose length (m)	Sprinkler
GD	90 / 380	A	9	90	380	REFLEX / TWIN 140
	90 / 400	A	10	90	400	REFLEX / TWIN 140
	90 / 420	D	9	90	420	REFLEX / TWIN 140
	90 / 440	D	10	90	440	REFLEX / TWIN 140
	90 / 480	B	4	90	480	REFLEX / TWIN 140
	100 / 320	A	7	100	320	REFLEX / TWIN 140
	100 / 350	A	9	100	350	REFLEX / TWIN 140
	100 / 400	E	9	100	400	REFLEX / TWIN 140
	100 / 450	C	4	100	450	REFLEX / TWIN 140
	110 / 270	D	3	110	270	REFLEX / TWIN 160
	110 / 300	D	5	110	300	REFLEX / TWIN 160
	110 / 340	B	9	110	340	REFLEX / TWIN 160
	120 / 230	F	10	120	230	EXPLORER / TWIN 202
	120 / 270	E	4	120	270	EXPLORER / TWIN 202
	125 / 220	F	10	125	220	EXPLORER / TWIN 202



## Weight and overall dimensions



STR.	TYPE	WHEELS	A1	A	B	C	D	E	F	G	KG
GD	A	10.0/75.15.3-5F	2570	2800	3150	2200	2000	2640	3720	5500	2400 ÷ 2700
	A	13.0/55.16-6F	2570	2800	3160	2260	2000	2640	3720	5500	
	A	11.5/80.15.3-6F	2570	2800	3200	2230	2000	2640	3720	5500	
	B	10.0/75.15.3-5F	2620	2850	3200	2200	2000	2690	3720	5500	
	B	13.0/55.16-6F	2620	2850	3210	2260	2000	2690	3720	5500	
	B	11.5/80.15.3-6F	2620	2850	3250	2230	2000	2690	3720	5500	
	C	10.0/75.15.3-5F	2680	2910	3260	2200	2000	2750	3720	5500	
	C	13.0/55.16-6F	2680	2910	3270	2260	2000	2750	3720	5500	
	C	11.5/80.15.3-6F	2680	2910	3310	2230	2000	2750	3720	5500	
	D	10.0/75.15.3-5F	2620	2850	3200	2200	2000	2690	3720	5500	
	D	13.0/55.16-6F	2620	2850	3210	2260	2000	2690	3720	5500	
	D	11.5/80.15.3-6F	2620	2850	3250	2230	2000	2690	3720	5500	
	E	10.0/75.15.3-5F	2680	2910	3260	2200	2000	2750	3720	5500	
	E	13.0/55.16-6F	2680	2910	3270	2260	2000	2750	3720	5500	
	E	11.5/80.15.3-6F	2680	2910	3310	2230	2000	2750	3720	5500	
	F	10.0/75.15.3-5F	2620	2850	3200	2200	2000	2690	3720	5500	
	F	13.0/55.16-6F	2620	2850	3210	2260	2000	2690	3720	5500	
	F	11.5/80.15.3-6F	2620	2850	3250	2230	2000	2690	3720	5500	

## Technical Features

Ø hose (mm)	Ø nozzle (mm)	Machine pressure (atm)					Sprinkler press. (atm)	Throw (mt)	Irrigated width (mt)	Flow (l/min)	Irrigated area (ha)					Rainfall (mm)			
		500									500								
82	18	5,6					3,0	33,0	56,1	350	2,79						35,8	11,9	7,2
		7,3					4,0	37,0	62,9	403	3,14						36,6	12,2	7,3
	20	8,6					4,0	39,0	66,3	500	3,32						42,9	14,3	8,6
		10,5					5,0	43,0	73,1	560	3,68						43,3	14,4	8,7
	22	12,5					5,0	45,0	76,5	675	3,86						49,8	16,6	10,0
		13,7					5,5	46,5	79,1	708	4,00						50,5	16,8	10,1
90	24	<b>380</b>	<b>400</b>	<b>420</b>	<b>440</b>	<b>480</b>					<b>380</b>	<b>400</b>	<b>420</b>	<b>440</b>	<b>480</b>				
		5,9	6,1	6,3	6,4	6,9	3,0	39,0	66,3	622	2,57	2,69	2,82	2,94	3,20		52,5	17,5	10,5
	7,7	7,9	8,2	8,3	9,0	4,0	44,0	74,8	720	2,92	3,06	3,20	3,35	3,63		53,4	17,8	10,7	
	26	8,8	9,0	9,4	9,6	10,4	4,0	47,0	79,9	845	3,13	3,29	3,44	3,59	3,89		58,4	19,5	11,7
		10,7	11,0	11,5	11,8	12,8	5,0	52,0	88,4	945	3,50	3,67	3,83	4,00	4,34		58,5	19,5	11,7
	28	12,3	12,7	13,4	13,7	15,0	5,0	56,0	95,2	1095	3,79	3,97	4,15	4,34	4,70		62,5	20,8	12,5
13,4		13,8	14,6	15,0	16,4	5,5	57,0	96,9	1150	3,87	4,05	4,23	4,42	4,79		64,4	21,5	12,9	
100	26	<b>320</b>	<b>350</b>	<b>400</b>	<b>450</b>						<b>320</b>	<b>350</b>	<b>400</b>	<b>450</b>					
		5,1	5,2	5,6	5,9		3,0	42,0	71,4	732	2,37	2,57	2,91	3,25			56,3	18,8	11,3
	6,6	6,7	7,2	7,6		4,0	47,0	79,9	845	2,68	2,91	3,29	3,67			57,5	19,2	11,5	
	28	7,2	7,4	8,0	8,6		4,0	51,0	86,7	980	2,93	3,18	3,59	4,00			61,0	20,3	12,2
		8,8	9,1	9,8	10,5		5,0	56,0	95,2	1095	3,25	3,52	3,97	4,43			61,5	20,5	12,3
	30	9,7	10,1	11,0	11,9		5,0	57,0	96,9	1260	3,31	3,59	4,05	4,51			69,3	23,1	13,9
10,6		11,0	12,0	13,0		5,5	58,5	99,5	1320	3,41	3,69	4,17	4,64			70,6	23,5	14,1	
110	28	<b>270</b>	<b>300</b>	<b>340</b>							<b>270</b>	<b>300</b>	<b>340</b>						
		4,5	4,7	4,8			3,0	44,0	74,8	848	2,14	2,35	2,64				61,1	20,4	12,2
	5,9	6,0	6,2			4,0	51,0	86,7	980	2,52	2,77	3,10				59,9	20,0	12,0	
	30	6,2	6,4	6,7			4,0	52,0	88,4	1127	2,57	2,83	3,16				67,4	22,5	13,5
		7,6	7,9	8,3			5,0	57,0	96,9	1260	2,85	3,13	3,50				67,9	22,6	13,6
	32	8,2	8,5	9,0			5,0	58,0	98,6	1432	2,91	3,19	3,57				75,7	25,2	15,1
8,4		8,6	9,0			5,5	60,0	102,0	1330	3,02	3,32	3,70				67,7	22,6	13,5	
120	30	<b>230</b>	<b>270</b>								<b>230</b>	<b>270</b>							
		5,6	5,7				4,0	52,0	88,4	1127	2,24	2,57					63,1	21,0	12,6
	6,8	7,0				5,0	56,0	95,2	1260	2,44	2,80					64,9	21,6	13,0	
	32	7,1	7,4				5,0	58,0	98,6	1432	2,54	2,91					70,8	23,6	14,2
		8,4	8,8				6,0	62,0	105,4	1570	2,74	3,14					71,9	24,0	14,4
	34	7,5	7,9				5,0	59,0	100,3	1618	2,59	2,97					78,5	26,2	15,7
8,9		9,3				6,0	64,0	108,8	1773	2,84	3,26					78,2	26,1	15,6	
125	32	<b>220</b>									<b>220</b>								
		5,5					4,0	54,0	91,8	1282	2,25						71,5	23,8	14,3
	6,8					5,0	58,0	98,6	1432	2,44						73,5	24,5	14,7	
	36	7,4					5,0	61,0	103,7	1813	2,59						87,8	29,3	17,6
		8,8					6,0	66,0	112,2	1988	2,84						87,8	29,3	17,6
	38	7,8					5,0	63,0	107,1	2022	2,69						94,3	31,4	18,9
9,3						6,0	68,0	115,6	2215	2,94						94,5	31,5	18,9	