

TECHNICAL DATASHEET FERBORAIN

G



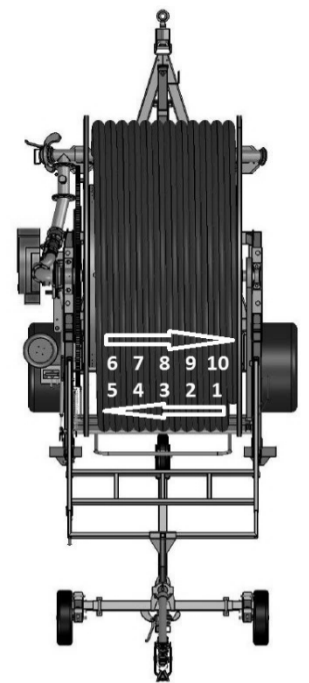
Illustrative purposes only; the model shown here could be different that one supplied

STANDARD EQUIPMENT

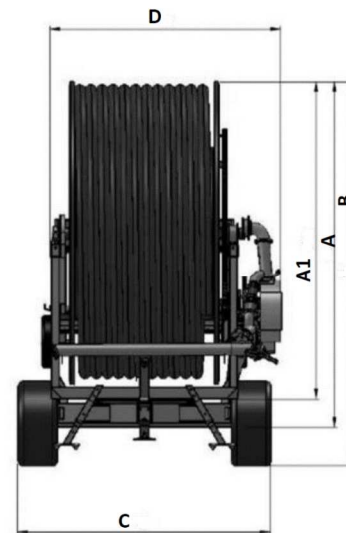
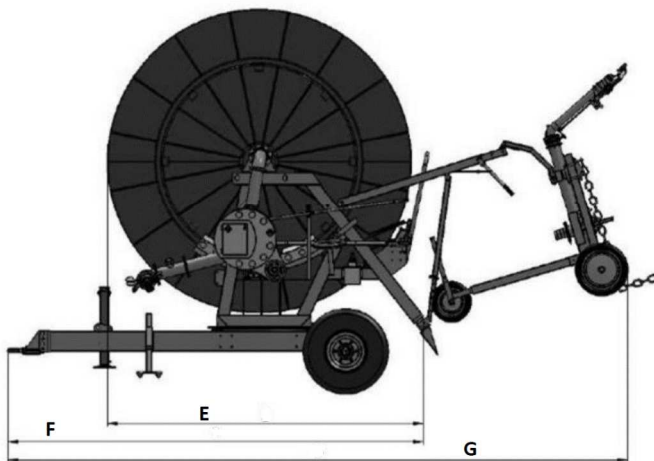
- High efficiency partial flow turbine drive directly coupled to the gearbox (minimum pressure losses in its category)
- Single-speed gearbox with oil lubrication
- Safety devices for PTO and rewinding out of the drum
- Moving transmission through toothed crown, which is placed close to the maximum stress point on the drum and not pushing against the hose reel borders
- Leadscrew driven hose layering guide
- By-pass "double action" for automatic speed control
- Glycerine filled pressure gauge
- Digital hour meters
- Huge diameter 360° turntable
- Rotation system for the upper turret
- Mechanical trolley lift and stacker legs operations
- Hot galvanised steel lower frame, upper frame, pipework with double water inlet and components
- 3 wheels hot galvanised sprinkler trolley with adjustable track
- Accident prevention protections according to CE standard
- Sprinkler with set of nozzles
- High resistant medium density PE hose with constant thickness
- Instructions and maintenance handbook
- CE Certificate
- Warranty certificate

Available Models

Structure	Model	Type	Ending hose	P.E. Hose Ø (mm)	Hose length (m)	Sprinkler
G	50 / 240	A	5	50	240	AMBO / 163
	63 / 200	A	5	63	200	HIDRA



Weight and overall dimensions



STR.	TYPE	WHEELS	A1	A	B	C	D	E	F	G	KG
G	A	145/80.13-4F	1510	1630	1880	1500	1380	1640	2600	4000	900

Technical Features

Ø hose (mm)	Ø nozzle (mm)	Machine pressure (atm)	Sprinkler press. (atm)	Throw (mt)	Irrigated width (mt)	Flow (l/min)	Irrigated area (ha)	Rainfall (mm)				
50	10	240					240					
		3,0			1,5	17,0	28,9	103	0,69	20,4	6,8	5,1
	12	3,8			2,0	18,0	30,6	120	0,73	22,4	7,5	5,6
		4,6			2,0	19,5	33,2	158	0,80	27,1	9,0	6,8
	14	6,5			3,0	22,0	37,4	193	0,91	29,1	9,7	7,3
		8,2			3,0	23,5	40,0	250	0,97	35,1	11,7	8,8
		10,7			4,0	26,0	44,2	290	1,08	36,6	12,2	9,1
	63	14	200					200				
			3,3			2,0	23,0	39,1	195	0,80	27,7	9,2
16		4,7			3,0	28,0	47,6	238	0,99	27,4	9,1	5,5
		5,3			3,0	30,0	51,0	303	1,07	32,3	10,8	6,5
18		6,9			4,0	34,0	57,8	350	1,23	32,5	10,8	6,5
		8,1			4,0	35,0	59,5	437	1,27	39,2	13,1	7,8
		10,3			4,5	36,5	62,1	545	1,33	46,7	15,6	9,3